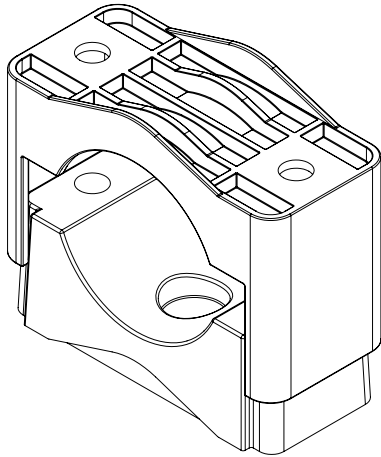




SIMPLE SYNTHETIC CLAMP SEG



Models: 26-50; 50-80.

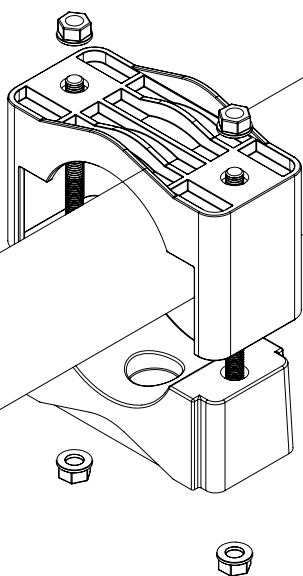
Material: PA (black colour)

Characteristics of the product:

- Halogen free with low smoke emission.
- Resistance to corrosion and aging:
 - Resistant to oils, UV, ozone, salts, moisture, humidity, acids and even nuclear radiation.
- Fire behaviour:
 - Self Extinguishing V0 acc. to UL94
- Minimum Temperature: -40 °C.
- Maximum Temperature: 120 °C.

MODEL	RESISTANCE (kN)	HOLE FOR HARDWARE (mm)	STACKABLE
Simple synthetic clamp 26-50	15	12,5	Yes
Simple synthetic clamp 50-80	15	12,5	Yes

ASSEMBLY INSTRUCTIONS



- Cable clamps allow the fixation of every type of wires or conduits of the range of diameters defined in the description of each model.
- The diameter of the hole to install the threaded fastening element is 12.5 mm with a hole for the intermediate nut housing.
- The clamps allow the stacking of several lines, and therefore, a simple and economic extension of the installation.

